

**AT A GLANCE**

**FEATURES**

- Patented steering lock valves
- Low friction hydraulic steering system
- 4.25 turns from lock-to-lock
- Compact helm has only a 4-7/16" footprint - needs only 3" dash hole (tilt requires larger hole)
- Optional SeaStar Pro cylinders with longer shaft bushings and even larger pivot bushings for an even more 'solid feel'
- Factory swaged hoses are Kevlar® reinforced
- Packaged complete with helm, cylinder, fittings, oil, bleeder kit and detailed instructions
- Standard 3/4" tapered steering shaft
- Fast, easy installation
- Meets A.B.Y.C standards
- Meets N.M.M.A. certification requirements
- SeaStar Pro is suitable for use with jack plates and performance props

PAGE 1 OF 2



Optional Silver and Red Cylinders shown

## SEASTAR PRO OUTBOARDSTEERING SYSTEM

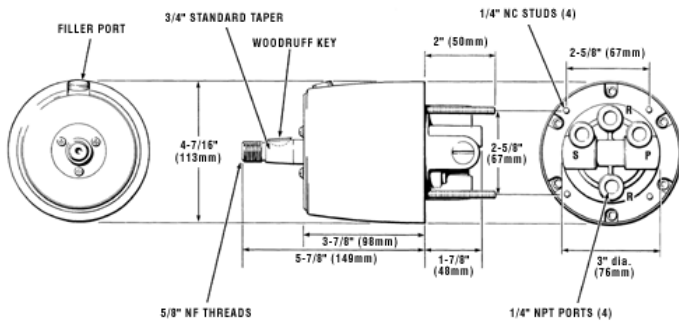
### TECHNICAL DATA

SeaStar Pro is for high performance boats with single non-power-assisted outboards up to 300 HP, especially those capable of speeds over 60 MPH, which demand maximum steering control and comfort.

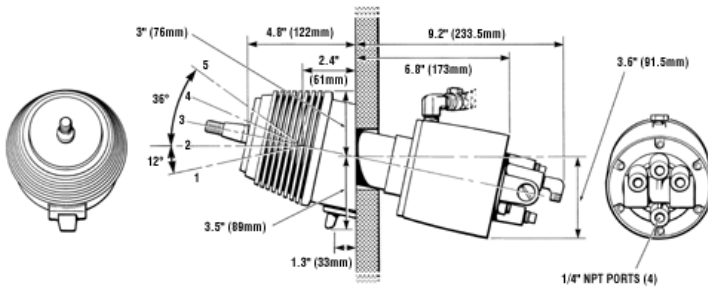
ORDER INFORMATION	PART NO.
<b>COMPLETE SYSTEMS</b>	
SeaStar Pro Steering System - with hoses (comprising: HH5770 Pro helm + HC5345 Cylinder + HO57xx Pro hose kit + 2xHA5430 Oil)	HK73XX
SeaStar Pro Steering System - no hoses (comprising: HH5770 Pro helm + HC 5345 cylinder + 2xHA5430 Oil)	HK7400
<b>COMPONENTS</b>	
SeaStar 2.0cu" Pro Helm	HH5770
SeaStar 2.0cu" Sport Tilt Pro Helm	HH6190
SeaStar 2.0cu" Trad Tilt Pro Helm	HH5774
SeaStar Pro Hoses Kit	HO57XX
SeaStar Pro Hose Kit with bulkhead fittings	HO82XX
Front mount Outboard Cylinder*	HC5345
Front mount Outboard Cylinder*	HC5347
Front mount Outboard Cylinder*	HC5348
<b>OPTIONS</b>	
Front mount Pro Outboard Cylinder*	HC6345
Front mount Pro Outboard Cylinder*	HC6358
Front mount RED Pro Outboard Cylinder	HC6345RED
Front mount SILVER Pro Outboard Cylinder	HC6345SIL
Front mount SILVER Pro Yamaha Cylinder*	HC6358SIL
Front mount RED Pro Yamaha Cylinder*	HC6358RED
Dashboard recess Kit	HA5417
Backplate Kit	HA5418
<b>SERVICE ITEMS</b>	
SeaStar Oil (1 Gallon)	HA5440

\* Consult application guide at [www.teleflexmarine.com](http://www.teleflexmarine.com)

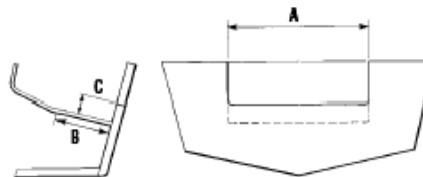
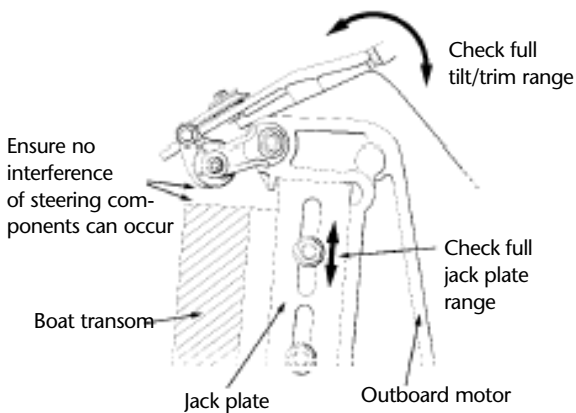
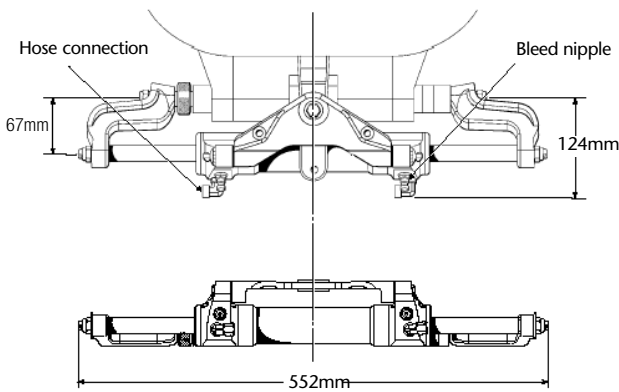




Standard Front mount  
SeaStar Pro Helm



Sport Tilt Version  
Traditional Tilt also available  
(not shown)



NO OF ENGINES	1A	B	C	Min engine centre distance
1	22" (559mm)	6" (152mm)	5" (127mm)	N/A
2	49" (1244mm)	6" (152mm)	5" (127mm)	26" (660mm)

Motor Well dimensions required for front mount outboard steering systems

ISSUE DATE SEP-07  
DATA SHEET NO INT-HS6

NOTES

- Dimensional restrictions also apply to external motor mount brackets

