

## Twin S & Single S Top mount controls

### Technical Data



## Twin S and Single S controls

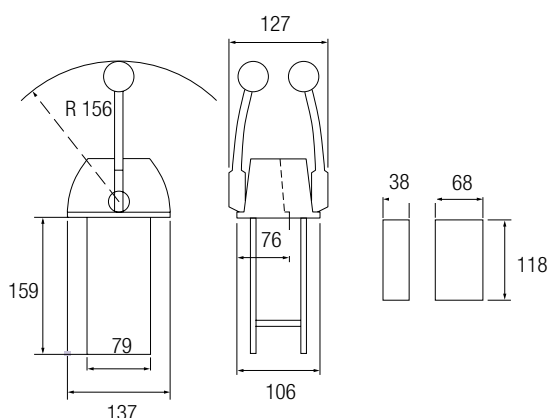
Single function, one or two lever versions  
Highly polished, chrome plated covers.

Suits 33C type control cables

### Key Features

- Optional neutral safety switch to prevent starting in gear
- Optional gear detent kit (if used in dual stations use on main operating station only)
- Standard control suits 33C type cables

Order information	Part number
<b>Twin S</b>	031001-001
<b>Single S</b>	031002-001



Accessories and parts	Part number
<b>Clutch detent kit</b>	022328
<b>In Series dual station kit - 30 series</b> (2 required for twin)	039489-002
<b>In Series dual station kit - 40 series</b> (2 required for twin)	042152
<b>Neutral safety kit</b>	047307
<b>Throttle hold kit</b> (one per lever, prevent throttle creep)	306997

contact us for more details:

8.15 - 16.30 (mon-fri)

Tel: +44 (0)1202 885212

Fax: +44 (0)1202 885214

e-mail: office@tfxmarine.co.uk

TeleflexMorse International Sales & Marketing

Gaunts Business Centre,

Gaunts Common,

Wimborne,

Dorset BH21 4JT

England

ISSUE DATE - May 03

**Teleflex**  
MARINE