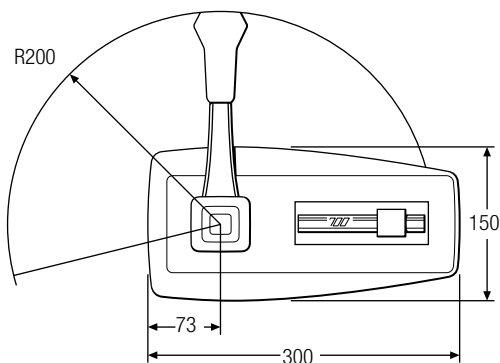


Power boat Surface/side mount control

Technical Data



Type S0 control

Single engine surface/side mount control for powerboats.

Dual action design available with trim and tilt and/or neutral interlock.

Suits 33C type control cables

Key Features

- Surface mounted dual action single lever control
- For power boats with outboard motors
- Available with power trim (type SOT), neutral interlock (type SOL) or Power trim and neutral interlock (type SOLT)
- Optional neutral safety switch
- Standard control suits 33C type cables

Order information		Part No.
Type of control	Side mounted, outboard motor, complete controls	
	Features	
Type S0	Standard	172222
Type SOT	Standard with power trim	172223
Type SOL	Standard with neutral interlock	172224
Type SOLT	Standard with power trim and neutral interlock	172225
neutral safety switch for all of the above		178000

contact us for more details:

8.15 - 16.30 (mon-fri)

Tel: +44 (0)1202 885212

Fax: +44 (0)1202 885214

e-mail: office@tfxmarine.co.uk

TeleflexMorse International Sales & Marketing

Gaunts Business Centre,

Gaunts Common,

Wimborne,

Dorset BH21 4JT

England

ISSUE DATE - May 03

Teleflex
MARINE