

# SG Flush mount control

## Technical Data



## SG control

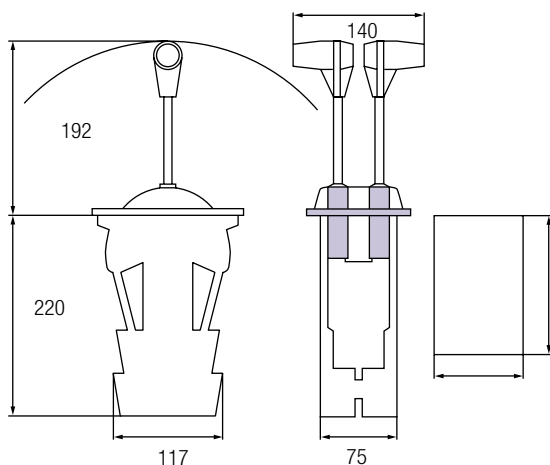
Single function, twin lever sports style control.

Suits 33C type control cables.

### Key Features

- Stainless steel cover with polished stainless steel levers, straight or sport curved levers
- Adjustable throttle brake
- Optional neutral interlock provision helps to prevent accidental shifting. Can be used in dual station at main operating station
- Mechanical advantage - shift 3.42:1 - Throttle 3.42:1
- Standard control suits 33C type cables

Order information	Part number
<b>SG straight levers</b>	306215
<b>SG curved levers</b>	306216



Accessories and parts	Part number
<b>Dual station kit 33C, 33C supreme cables</b>	304710
<b>Mounting hardware kit (33C only)</b>	305155
<b>Grip kit (one red and one black)</b>	305495
<b>Detent kit</b>	305496
<b>Brake kit</b>	305497
<b>Terminal kit, for OS-KM type cables</b>	305498
<b>Neutral safety switch kit</b>	305499
<b>Cover kit, standard (black)</b>	306217
<b>Interlock kit</b>	306093

contact us for more details:

8.15 - 16.30 (mon-fri)

Tel: +44 (0)1202 885212

Fax: +44 (0)1202 885214

e-mail: office@txmarine.co.uk

TeleflexMorse International Sales & Marketing

Gaunts Business Centre,

Gaunts Common,

Wimborne,

Dorset BH21 4JT

England

ISSUE DATE - May 03

**Teleflex**  
MARINE