

# NB Top mount controls

## Technical Data

## NB controls

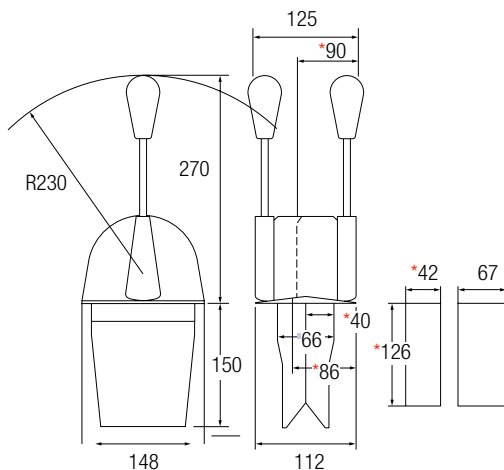
Single function, one or two lever heavy duty control.

Suits 33C or 43C type control cables.



### Key Features

- Available in single (throttle or shift) or twin lever versions
- Single action design
- The NB throttle control has a drag adjustment which is simply applied by twisting either lever to lock once the desired position has been established
- Standard control suits 33C or 43C type cables



\* Dimensions for NB single

Order information	Part number
<b>NB Throttle control</b>	303028
<b>NB Shift control</b>	303102
<b>NB Twin control</b> (throttle and shift)	303029

contact us for more details:

8.15 - 16.30 (mon-fri)

Tel: +44 (0)1202 885212

Fax: +44 (0)1202 885214

e-mail: [office@tfxmarine.co.uk](mailto:office@tfxmarine.co.uk)

TeleflexMorse International Sales & Marketing

Gaunts Business Centre,

Gaunts Common,

Wimborne,

Dorset BH21 4JT

England