

MT3 Top mount controls

Technical Data



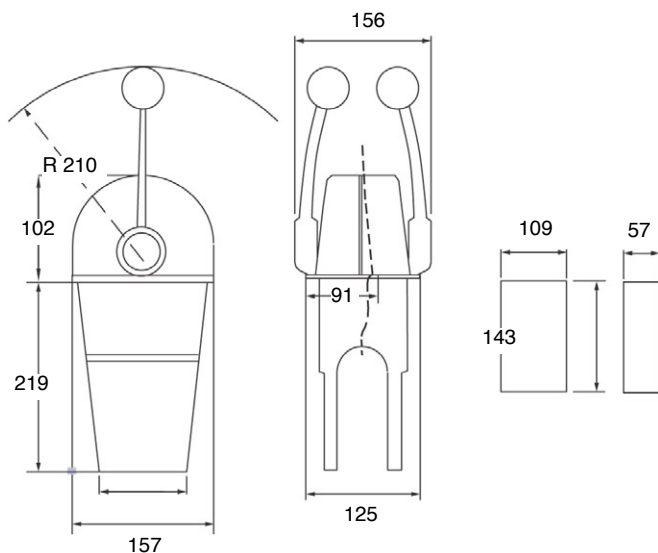
MT3 controls

Worlds most popular classic design, dual action, top mount controls. Chrome finish, available in single or twin engine versions.

Suits 33C type control cables.*

Key Features

- Dual action (throttle and shift in one lever)
- Sturdy control provides one-handed positive engine control
- Start and warm-up are done by pulling out the hand levers in the neutral position
- Built in neutral safety switch to prevent starting in gear
- Built-in friction drag helps prevent slippage and throttle creep while underway
- *single control accepts 43C type cable with optional connection kit standard control suits 33C type cables



Order information

MT3 single	308731
MT3 twin	308732
Heavy duty conversion kit	309742

contact us for more details:

8.15 - 16.30 (mon-fri)

Tel: +44 (0)1202 885212

Fax: +44 (0)1202 885214

e-mail: office@tfxmarine.co.uk

TeleflexMorse International Sales & Marketing

Gaunts Business Centre,

Gaunts Common,

Wimborne,

Dorset BH21 4JT

England