

AT A GLANCE

FEATURES

- Comfortable 2.5 turns from lock-to-lock
- Standard 3/4" tapered steering shaft
- Uses SSC 131XX steering cables
- Cables available in 1 foot increments

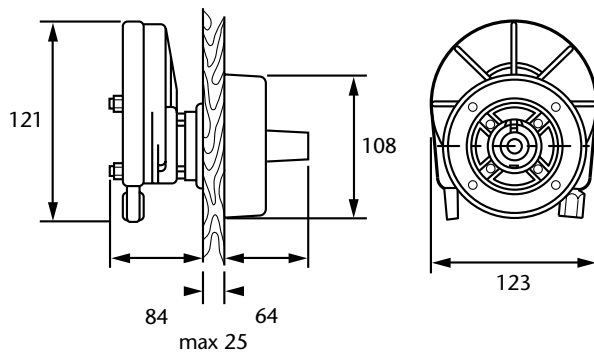


## LIGHT DUTY STEERING SYSTEM

### TECHNICAL DATA

Suits outboard engines up to 53 HP supplied complete with 90° bezel to suit most applications.

Available as separate components.



### SPECIFICATIONS

ORDER INFORMATION	PART NO
Light duty helm and bezel	SH8050P
Steering cable (black)	SSC131XX

