

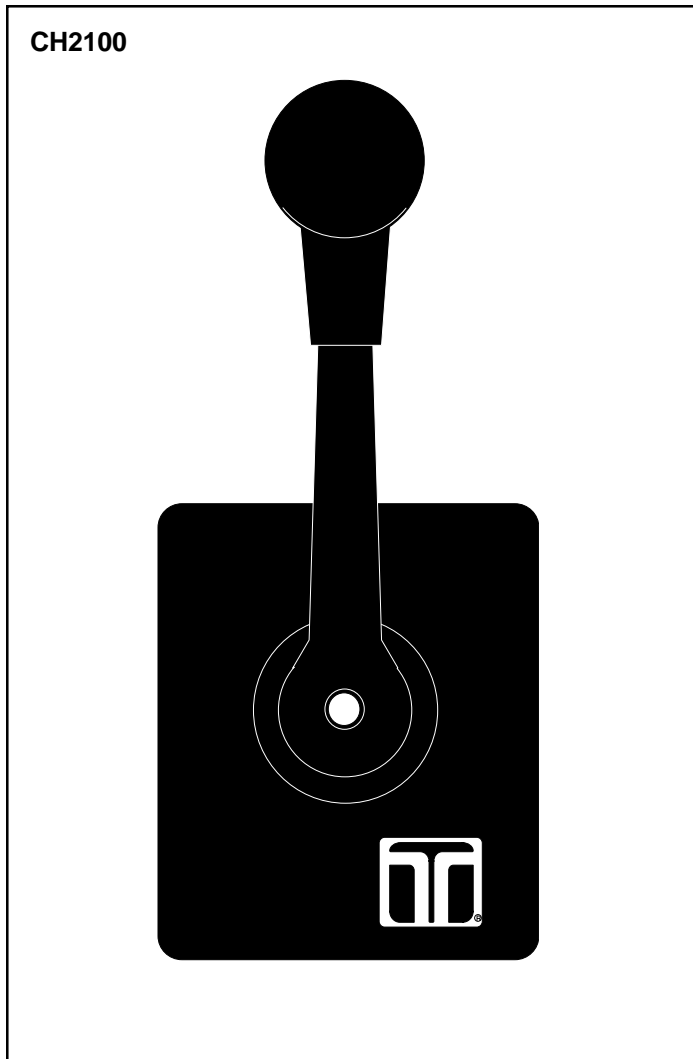
Sail Controls

(sailboat
inboard
engines)

CH2100

(single station side mount,
using 3300 cables)

Great for Sail and More! This compact side mount control from Teleflex features single lever/dual action design. Its compact construction is *perfect for sailboats* and other applications in which space is at a premium. And, it's a drop-in replacement for controls sold by NW®, Onan®, TX®, Vetus®, Volvo® and others. Uses 3300/33 type control cables.



control:
CH2100
sailboat

(this engine control is for single station use only)

Applications:

Virtually all sail engine applications in which a side mount control is desirable. Single lever, dual action design controls throttle and shift with one lever. Utilizes 3300/33 type “universal” engine control cables.

Not suitable for use with Mercury® and OMC® OEM type control cables.

Features:

- ◆ Single lever, dual action for throttle & shift.
- ◆ Surface mount design for quick, tidy installation.
- ◆ Includes neutral warm up capability.
- ◆ Includes hardware for two 3300/33 control cables.
- ◆ Positive shift detents and neutral lock-out.
- ◆ Optional neutral safety switch.
- ◆ Weatherproof exterior, rugged diecast frame.
- ◆ Meets/exceeds all applicable industry standards.

How to Measure Cable:

For a New Installation:

Outboards: Measure from control along unobstructed cable routing to center of outboard. Add two feet to allow for loop which provides unrestricted engine movement. Round up to next whole foot and order required cable part number(s).

Stern Drives and Inboards: Measure from control along unobstructed cable routing to shift and/or throttle connection. Round this dimension off to the next whole foot and order required cable part number(s).

For Existing Cable Replacement:

Measure Existing Cable from tip to tip in inches, and round up to next even foot. Order that length cable.

NOTE: For examples and diagram, see “How to Measure” in Control Cables Section.

Engine Control:

Side Mount Sailboat Control

CH2100P

Components:

3300 Universal Control Cable

CC172XX*

Options:

Optional Neutral Safety Switch

CA27090P

3300 Heavy Duty Control Cable

CC330XX*

TfXtreme High-Perf. Control Cable

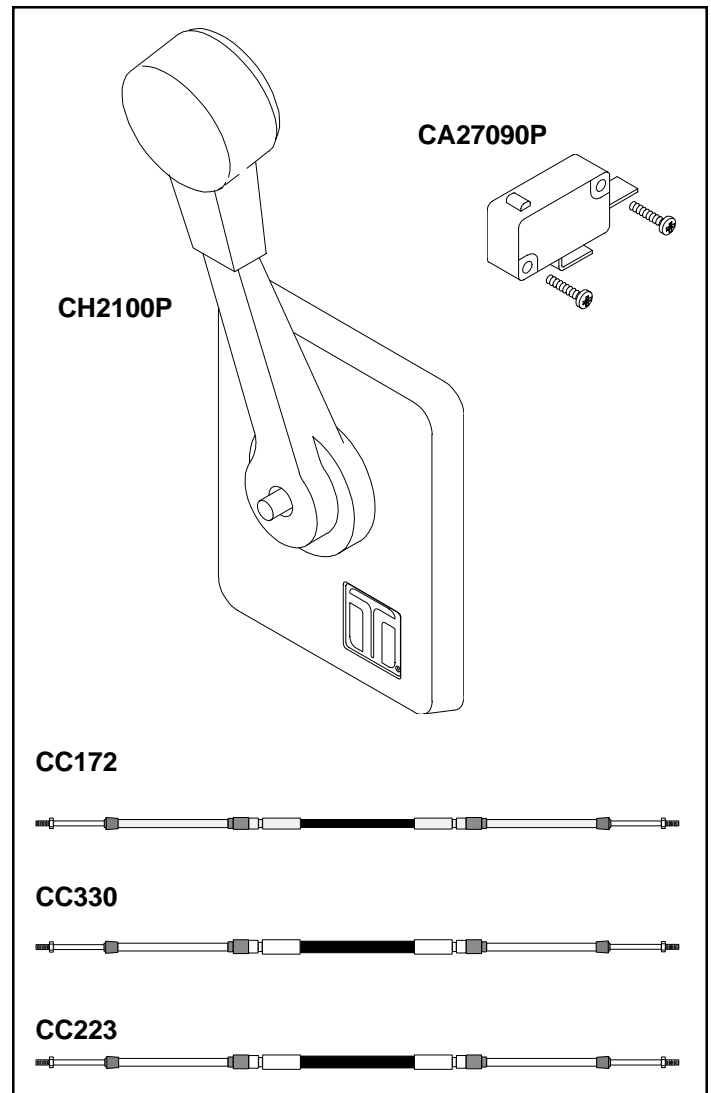
CC223XX*

*may require purchase of cable connection kit(s) to complete control system installation.

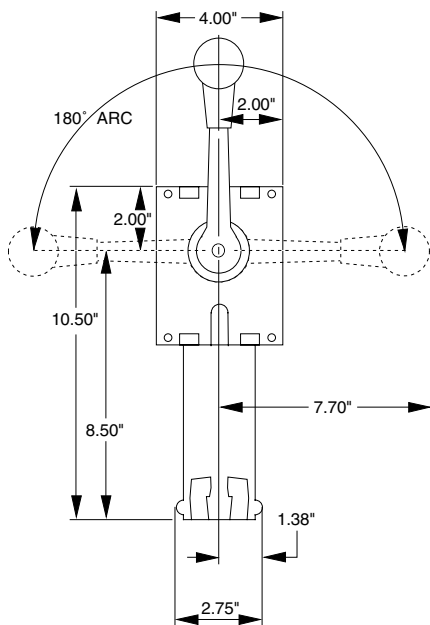
Service Items:

Cable Connection Kits (see *Connection Kits* section)

NOTE: When properly installed, these engine controls will connect to various engines, utilizing universal type 3300 cables and engine connection kits. (These controls are not designed to use Mercury/Mariner® and OMC® OEM type control cables that have “eye” terminals at the control end of the cable.)



MOUNTING DIMENSIONS:



MOUNTING CUTOUT DIMENSIONS:

