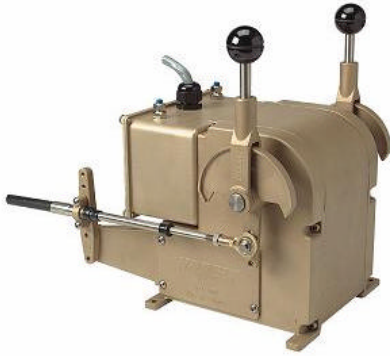


Model 6527 Electronic Actuator



The 6527 electronic actuators are constructed in bronze and stainless steel, except for the motor and worm. It can be used for many marine and industrial applications to operate and position lever actuated mechanisms.

The basic control unit comes with manual override and one trim pot per side to adjust the stroke. This actuator does not have an internal resilient link like out model 6524. Therefore, the stroke must be adjusted precisely to suit the device to be controlled. This unit, has a high torque of 180 ins. lbs.

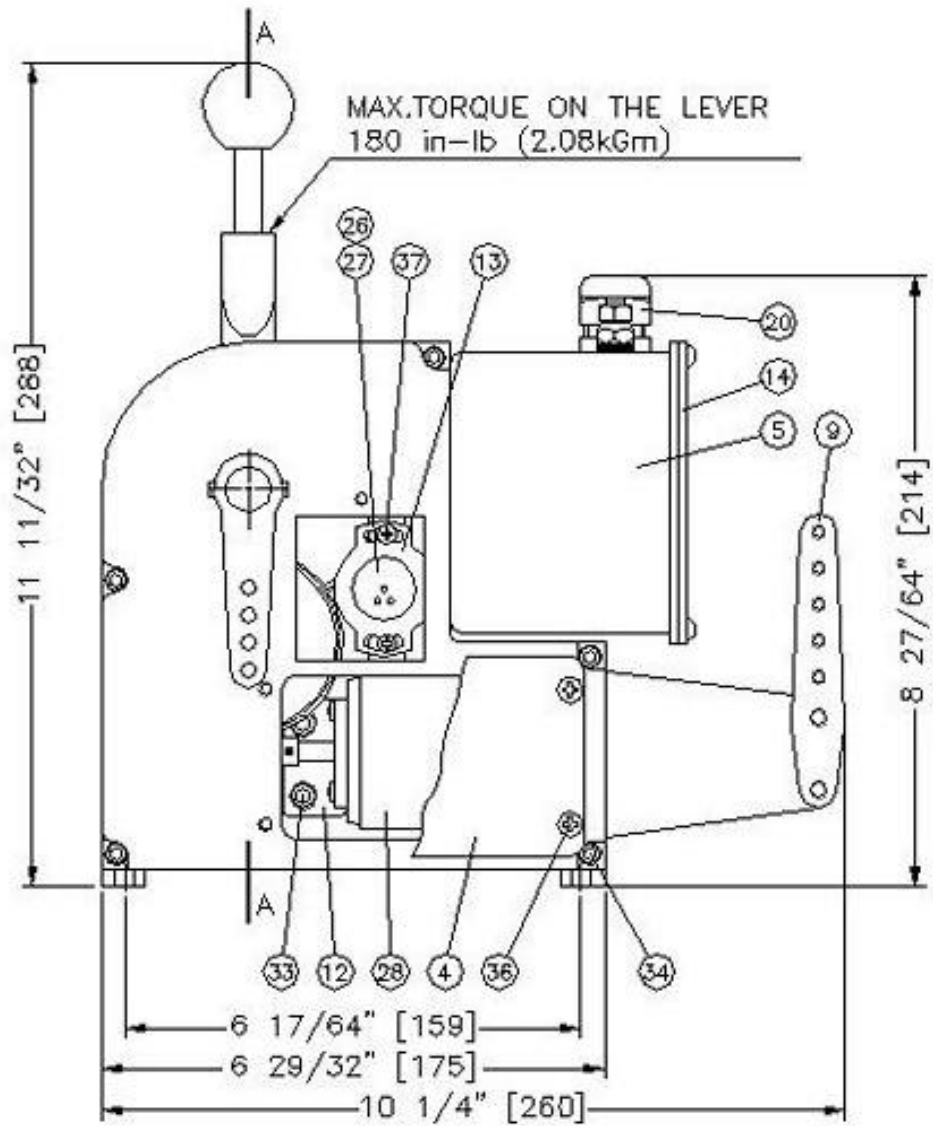
Specifications

Weight

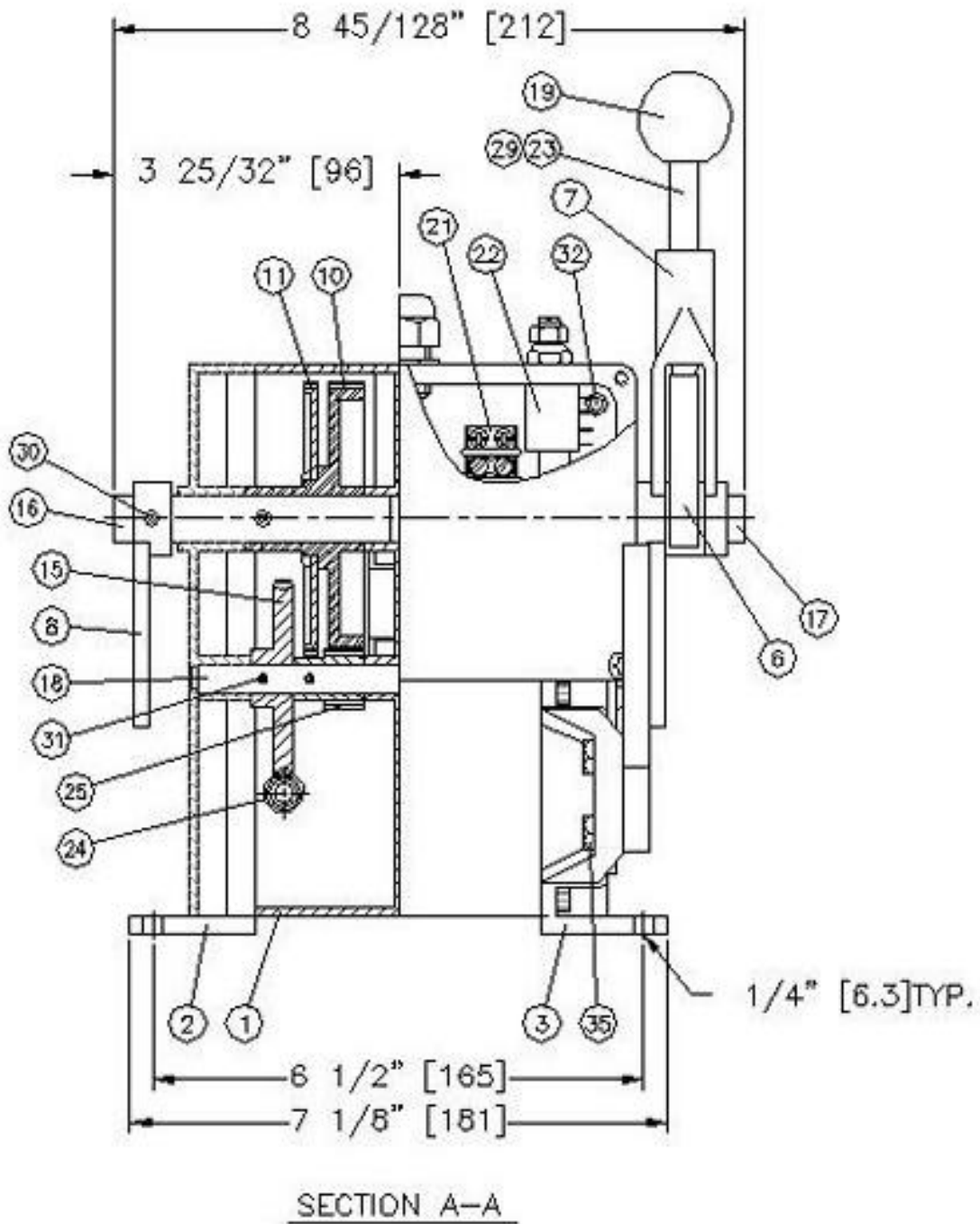
24lbs./11 KG

Dimensions and Parts

Side View



Front View



Model 6527 Electronic Actuator

ALL DIMENSIONS IN INCHES (MM)

ITEM	QUANTITY	PART NUMBER	DESCRIPTION
1	1	6527-0001	Centre Housing
2	1	6527-0002	Side Housing
3	1	6527-0003	Side Housing
4	2	6527-0004	Cover
5	1	6527-0005	Connection Housing
6	1**	6527-0006	Disconnect Cam
7	1**	6527-0007	Disconnect Arm
8	1**	6527-0008	Lever
9	2	6527-0009	Stationary Arm
10	2	6527-0010	Spur Gear
11	2	6527-0011	Feedback Gear
12	2	6527-0012	Motor Bracket
13	2	6527-0013	Potentiometer Bracket
14	1	6527-0014	Cover
15	2	6527-0015	Worm Gear
16	1**	6527-0016	Shaft-Short
17	1**	6527-0017	Shaft-Long
18	2	6527-0018	Shaft
19	2	2030-0001	Knob Black
20	1	6001-0249	Connecting Gland
21	2	6009-0008	Terminal Block-cinch 8-140
22	2	6002-4000	Trim Pot – 95A2AB28A10A10
23	1**	7171-0006	Handle
24	2	6524-0019	Worm
25	2	6524-0021	Pinion
26*	2	6524-0022	Potentiometer Drive Gear
27	2	6639S	Potentiometer-6639S-1-502
28	2	14201S002	Motor Pittman 24VDC
29*	1**	1201-0140	Spring
30	4	1024-0818	Spring Pin
31	4	1024-0512	Spring Pin
32	4	1002-0806	Hex. Socket Head Cap Screw
33	4	1002-1008	Hex. Socket Head Cap Screw
34	10	1002-0808	Hex. Socket Head Cap Screw
35	4	1001-1012	Hex. Head M. Screw
36	22	1010-0806	Round Head Philip M. Screw
37	20	1012-0606	Pan Head Philip M. Screw

* Item Not Shown

** Quantity may vary.