

Model 6506 Side Mount



The 6506 is a side mounting electronic control that can be used for single lever clutch and throttle, or any combination of CP propeller and/or trolling valve. This unit is constructed in bronze and stainless steel. The housing is available in chrome and/or black epoxy. The control handle is always supplied in chrome.

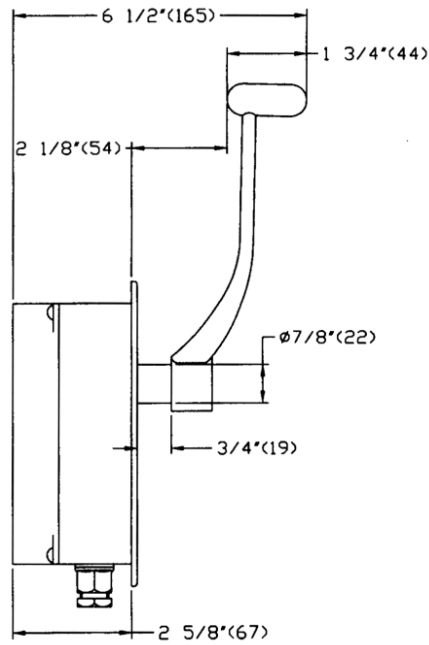
The handle is attached to the control on a 36 tooth spline and can be rotated in 100 increments

The control can be installed in two different ways. An external flush mounting where the housing is exposed, or an internal mounting where the housing is behind the control console, and only the lever and shaft is exposed. The unit is equipped with friction and detent and can be adjusted to customer requirements.

This unit is also available with two potentiometers. The computer will read both potentiometers but should one fail, the computer would ignore the incorrect signal. This control requires an external headboard. Model 6507 is recommended and can be combined with all other KOBELT control devices.

Dimensions and Parts

Side View



Front View

