

Model 6505 Electronic Control Head



The 6505 Electronic Control Head was recently developed to accommodate customers who have limited space on their control consoles. The 6505 is compact, yet it offers all the features and accuracy of our bigger models. The housing and handles (available in two handle lengths) are constructed in all bronze and stainless steel. The standard unit is available in either chrome, black epoxy or polished bronze. Optional self-adhesive side scales are available.

The 6505 incorporates the latest electronic technology. The touch pad buttons are water tight, and come standard with station accept, station lock, throttle override and synchronizer. The unit is totally water tight from the top side and can be used anywhere on board ship. The bottom side must be protected from the elements.

Ordering Information

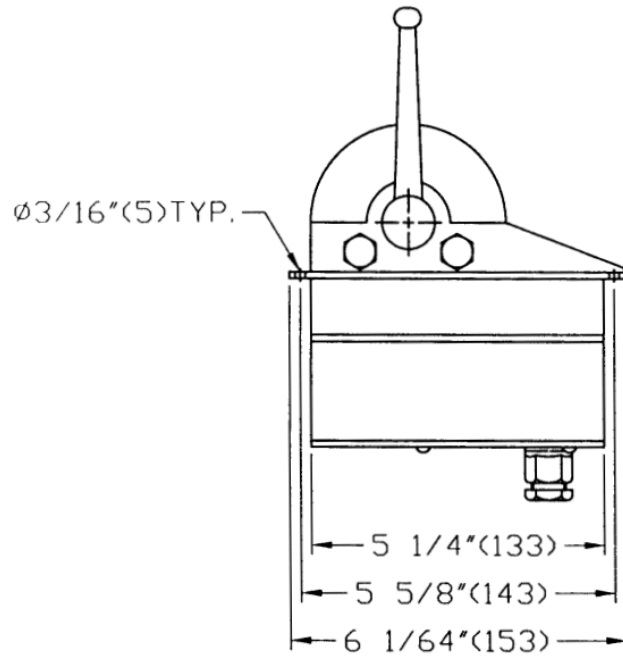
Model Designations:

B	Black
C	Chrome
L	Polished Brass

S	Single Engine
T	Twin Engine

Dimensions and Parts

Side View



Front View

