



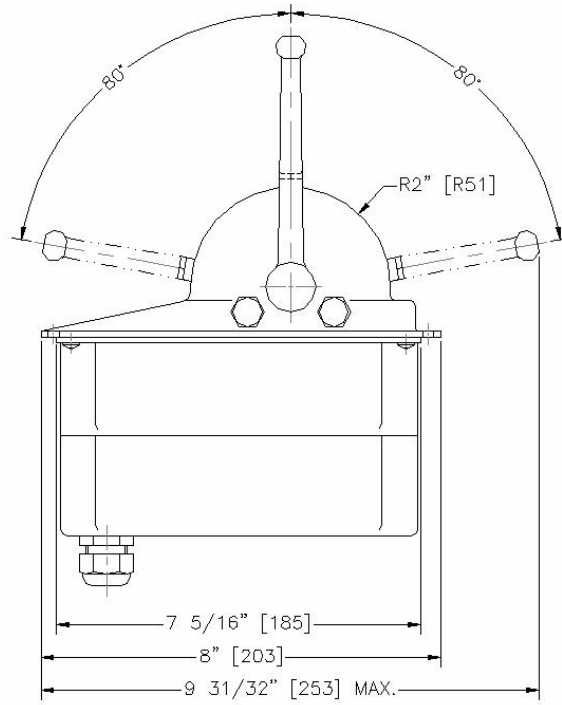
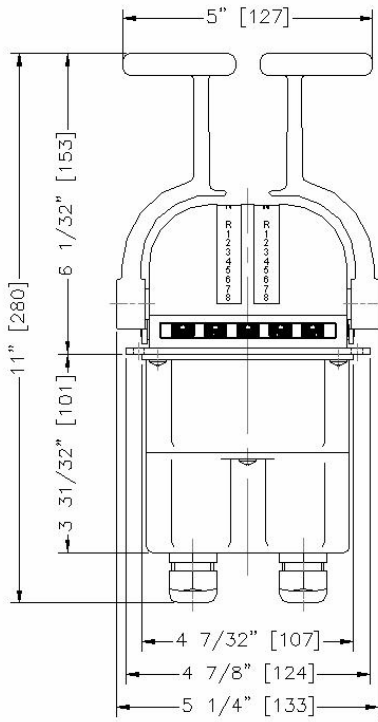
MODEL 6504 CONTROL HEAD

The model 6504 control head provides precision and reliability. This is intended for the sleek pleasure craft market. The control head integrates with all other Kobelt Control products. It is also possible for this control head to incorporate steering and many other shipboard functions to provide an overall package for the boat owner.

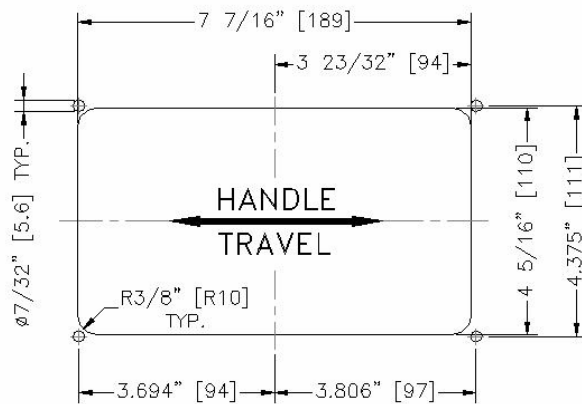
It is constructed entirely in bronze and stainless steel which will give many years of trouble-free service.

The control head comes with a membrane switch panel that can provide Station Select, Station Lock, Throttle Override, Synchronizer Mode as well as Trolling Mode to serve various controlling functions. Our standard microprocessor will accept the signals from this control head to provide time delays interlocks as well as 4 – 20 mA, PWM output or other control signals for electronic engines.

MODEL 6504



All dimensions in inches (mm)



"CUT-OUT" DIMENSIONS