

Model 2015 Two Handle Push Pull Control



This control incorporates all the features of the Kobelt standard Push Pull Control: 3" stroke, all bronze and stainless steel, and is extremely heavy duty construction. The cable support bracket has been shortened to improve cable attachment access to the Control head.

Ordering Information

Model Designations:

A	One short handle with friction and one long handle with detent	L	With polished brass finish cover and handles
AA	One short handle with friction and one long handle with friction	M	With black epoxy finish cover and chrome handles
B	Two long handles with detent	U	With curved handles and red or black knobs
C	Two long handles with friction	V	With red or black plastic grips
D	Two long handles with one detent and one friction	L	With polished brass finish cover and handles
E	Two short handles with detent	M	With black epoxy finish cover and chrome handles
F	Two short handles with friction	U	With curved handles and red or black knobs
G	Two short handles with one detent and one friction	V	With red or black plastic grips
K	With chrome finish cover and handles		

Note

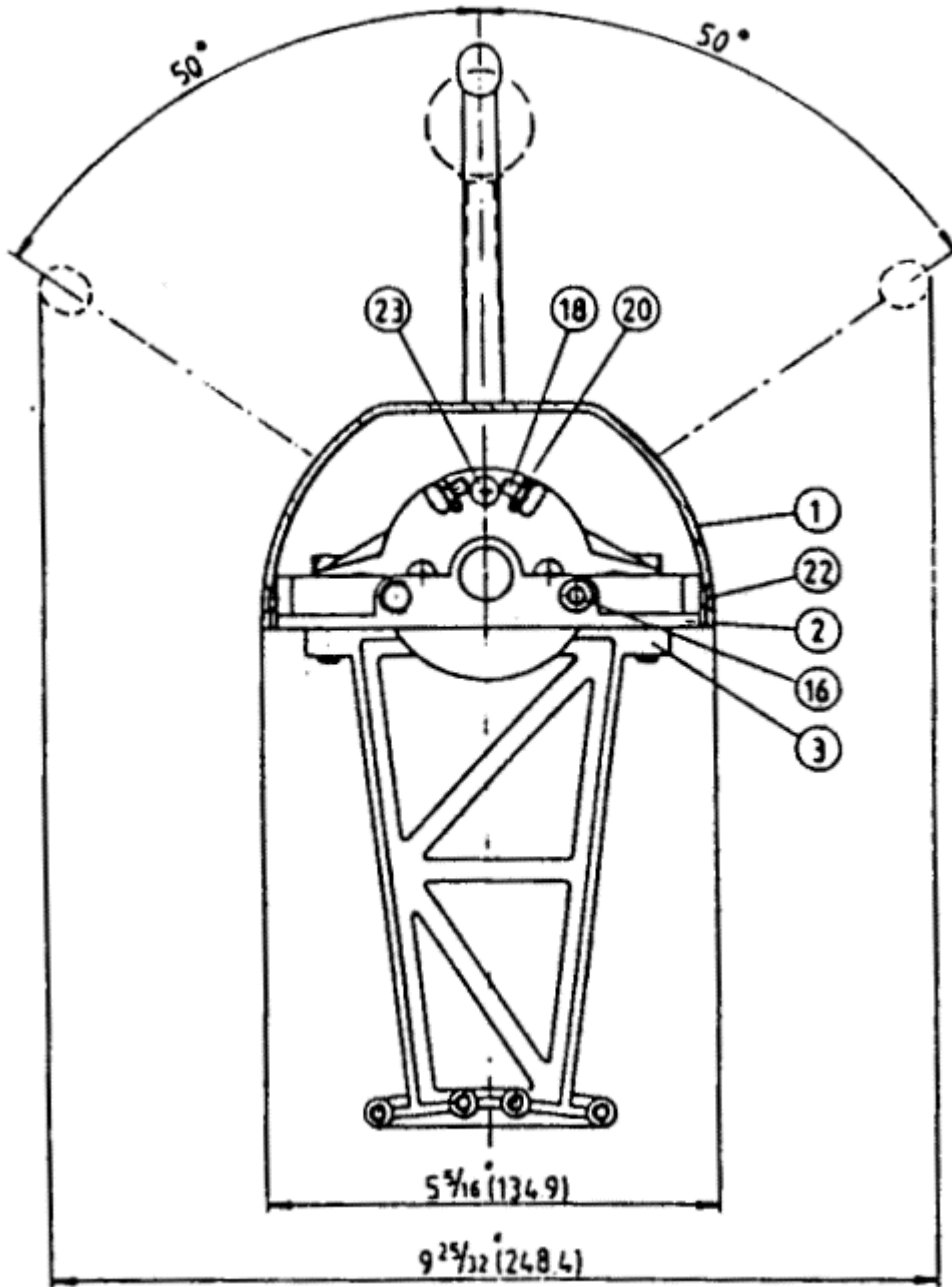
Cable connector kits are ordered separately. Each Push Pull cable end attached to the control head requires one kit.

Ordering Numbers

2015-0901 Connection Kit (30 series cable) 2015-0902 Connection Kit (40 series cable)

Dimensions and Parts

Side View

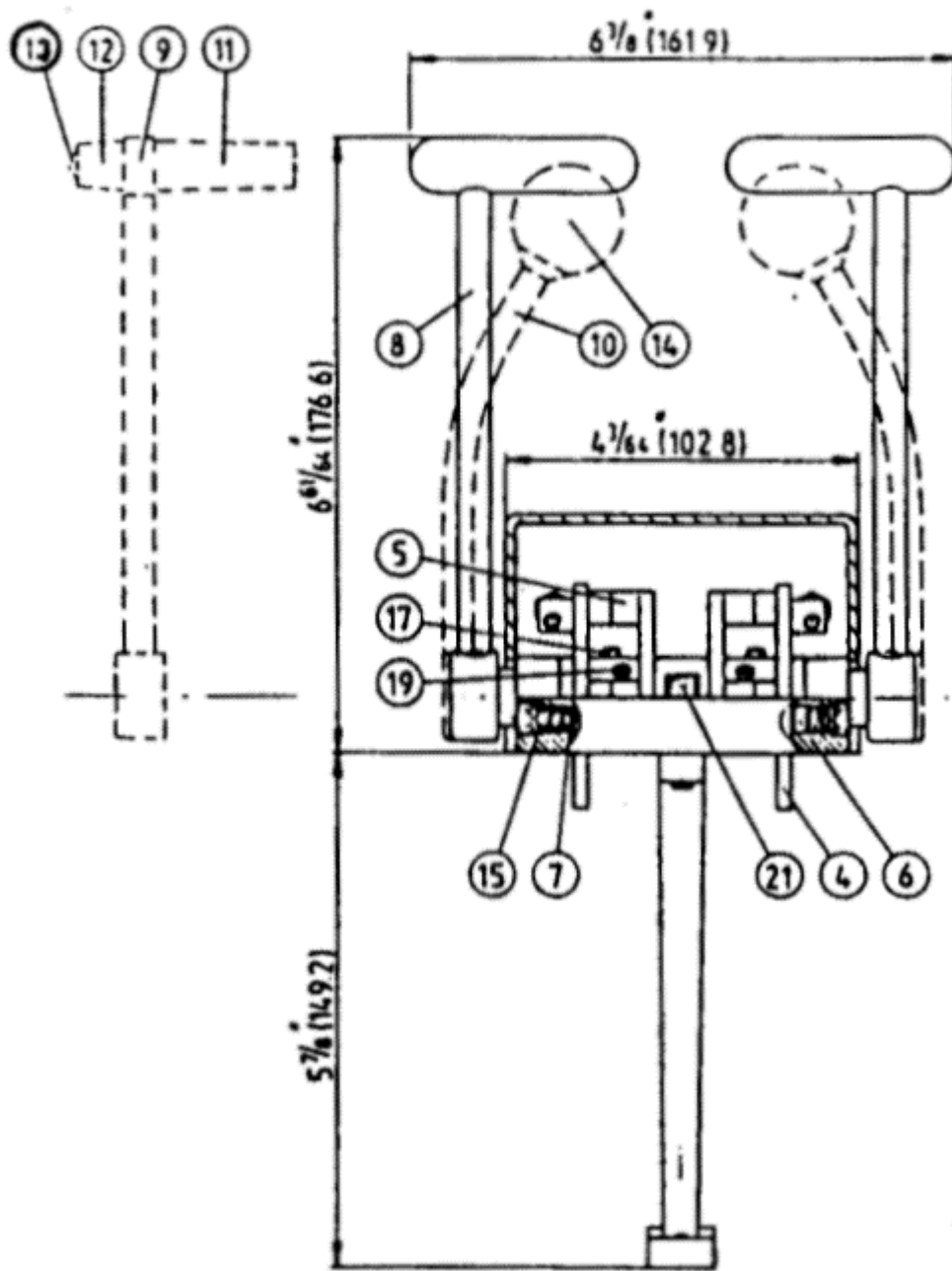


ALL DIMENSIONS IN INCHES (MM)

ITEM	QUANTITY	PART NUMBER	DESCRIPTION
1	1	2015-0001	Dome
2	1	2015-0002	Frame
3	1	2015-0003	Support
16	2	1016-1204	Hex. Socket Set Screw
18	4	1016-0808	Hex. Socket Set Screw
22	2	1005-0808	Oval Head M. Screw
23	6	1019-0808	Flat Hd. Philip M. Screw
22	2	1005-0808	Oval Head M. Screw

* Quantity may vary.

Front View



ALL DIMENSIONS IN INCHES (MM)

ITEM	QUANTITY	PART NUMBER	DESCRIPTION
4	2	2015-0004	Cam
6	1	2016-0011	Friction
7	1	2009-0011	Detent
8	2*	2009-0015	Long Handle (Standard)
8	2*	2009-0016	Short Handle (Standard)
9	2*	2009-2015	Long Handle (Plastic Grip)
9	2*	2009-2016	Short Handle (Plastic Grip)
10	2*	2009-3015	Curved Handle
11	2*	2111-0001B	Plastic Grip (Black)
11	2*	2111-0001R	Plastic Grip (Red)
12	2*	2111-0004B	Grip End (Black)
12	2*	2111-0004R	Grip End (Red)
13	2*	1011-1028	Oval Head M. Screw
14	2*	2030-0011	Black Knob
14	2*	2030-0012	Red Knob
15	2	1201-0003	Spring
17	4	1016-0804	Hex. Socket Set Screw
19	4	1024-0816	Spring Pin
21	2	1002-0016	Hex. Socket hd. Cap Screw

* Quantity may vary.

2015 "Cut-Out" Dimensions

